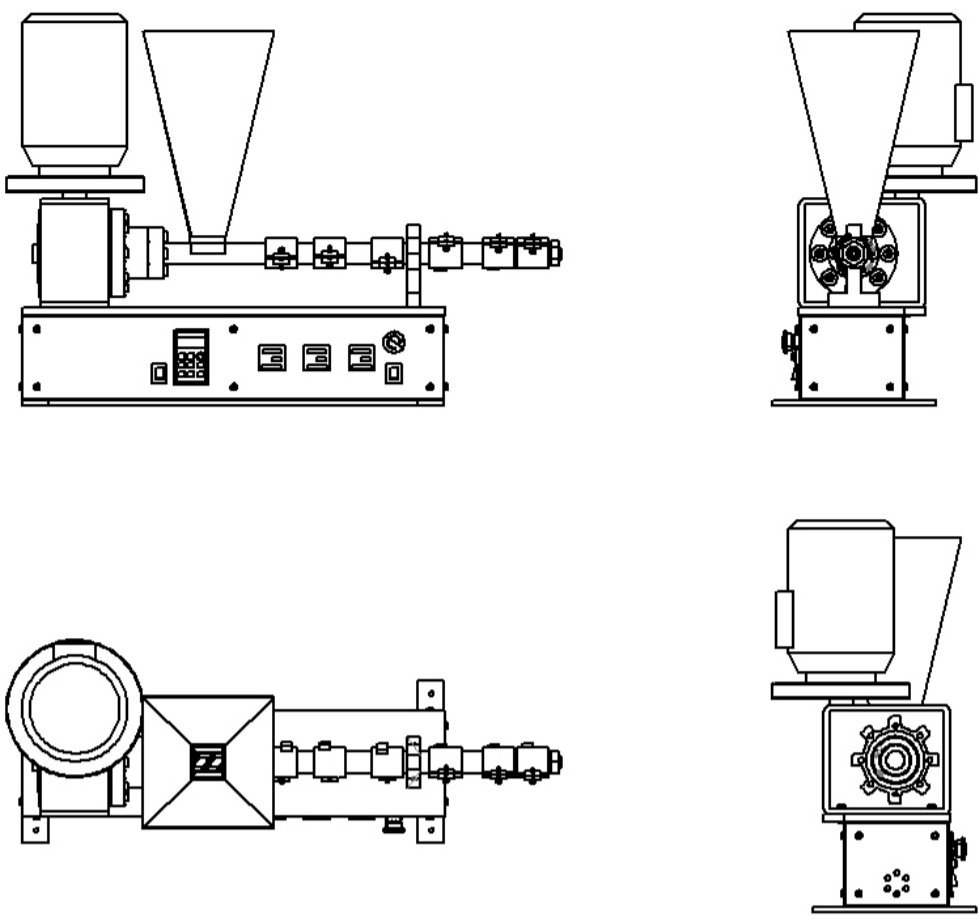


Lydia-v4 Specification



Specification

Title	Lydia-v4
Version	v4.3
Type	Single Screw
Weight	110 kg
Dimension	1052 x 753 x 368 mm
Power (W)	5 kW
Voltage	400V or 220V
Amperage	16A
Input Flake Size	Small
Screw diameter	30mm
Length of screw (mm)	790 mm
Effective screw length	600 mm
Rated Motor Power	3 kW
Motor Type	
- Rated Motor output Torque	109 Nm
- Rated Motor output speed	263 RPM
- Max. Motor and Inverter power	3 kW
- Recommended motor shaft	30 mm
- Heating zones	3
- Heating power: max.	2 kW

