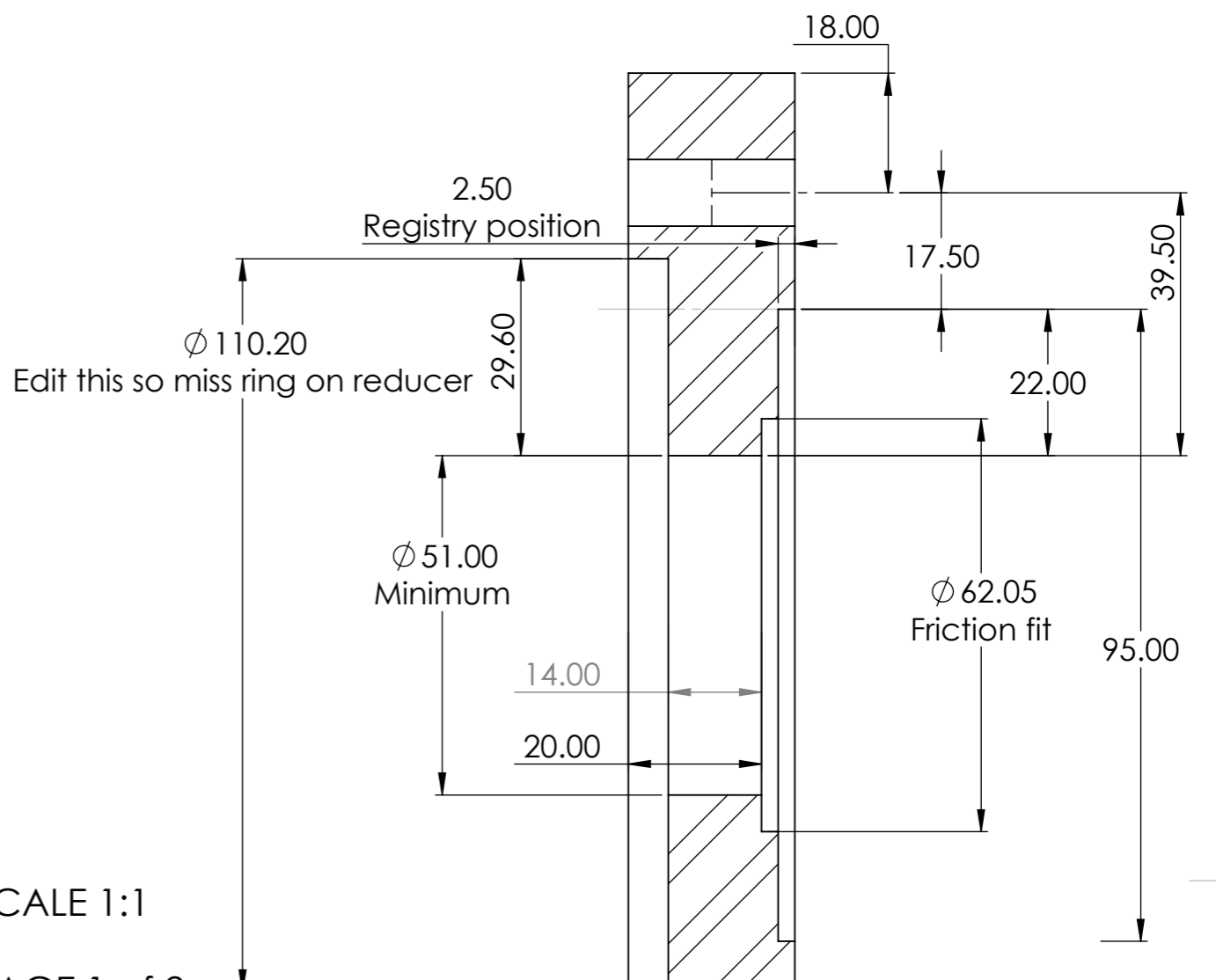
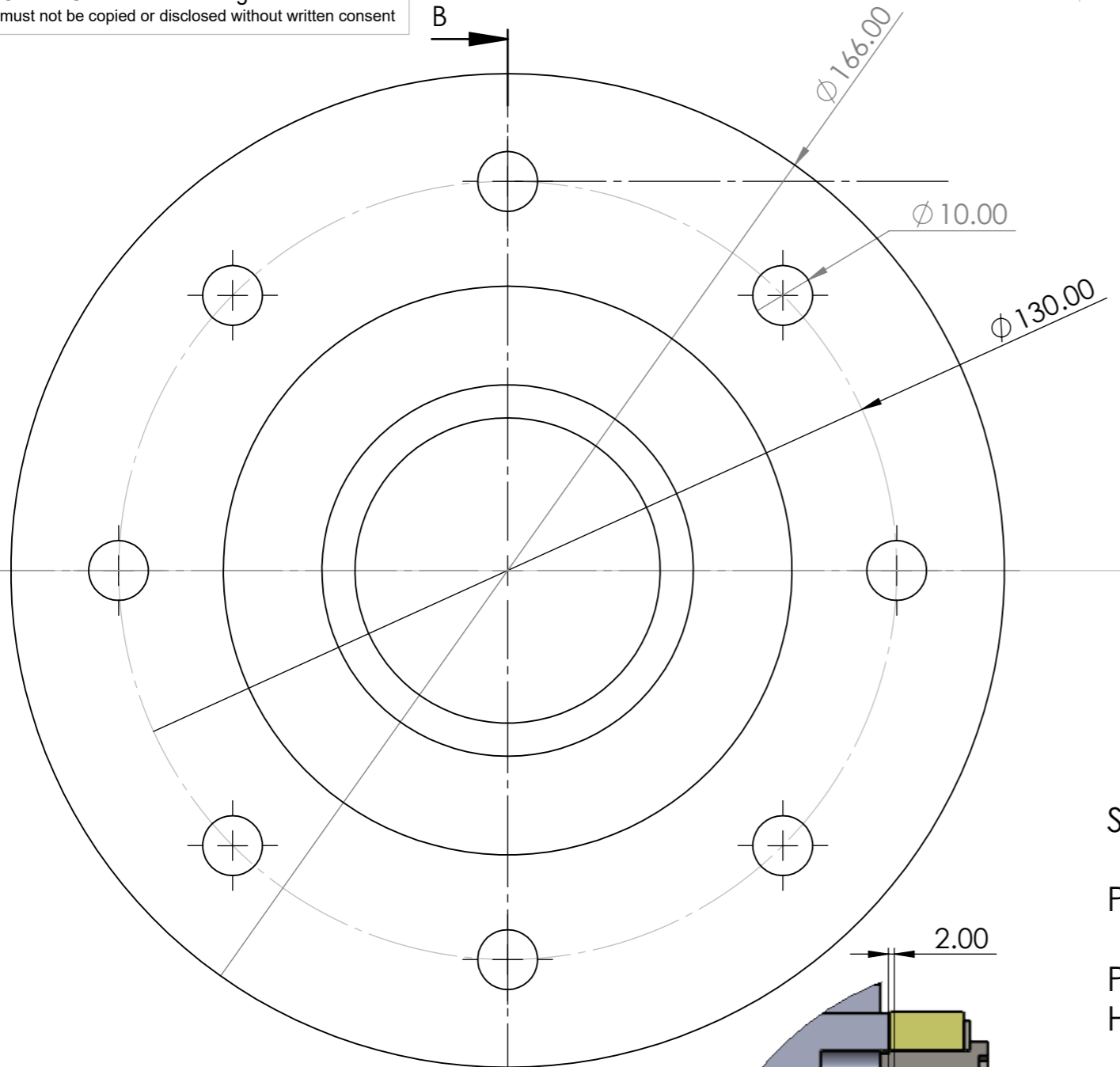


**C** COPYRIGHT: This drawing is confidential  
It must not be copied or disclosed without written consent

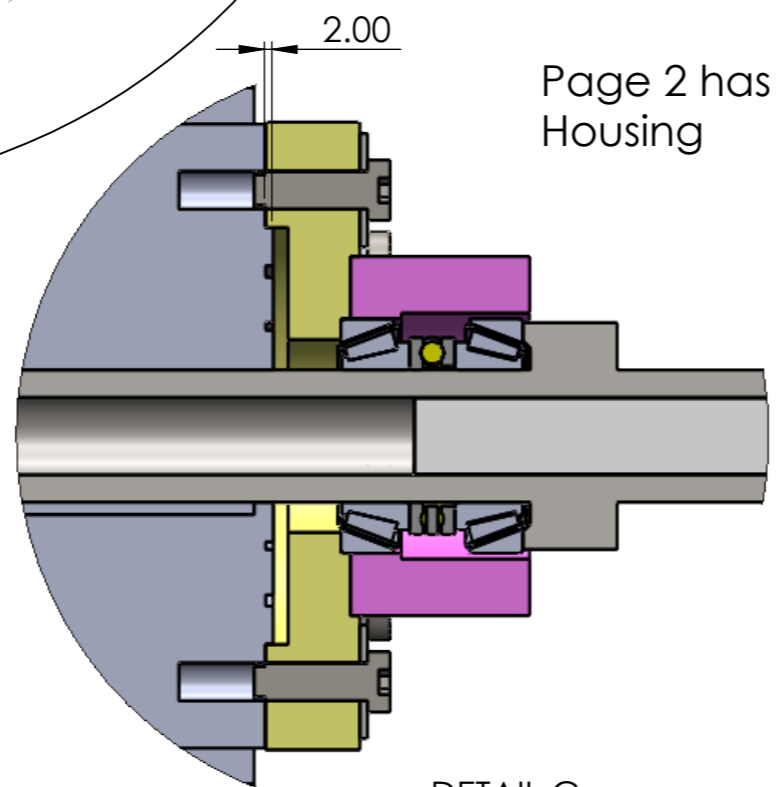
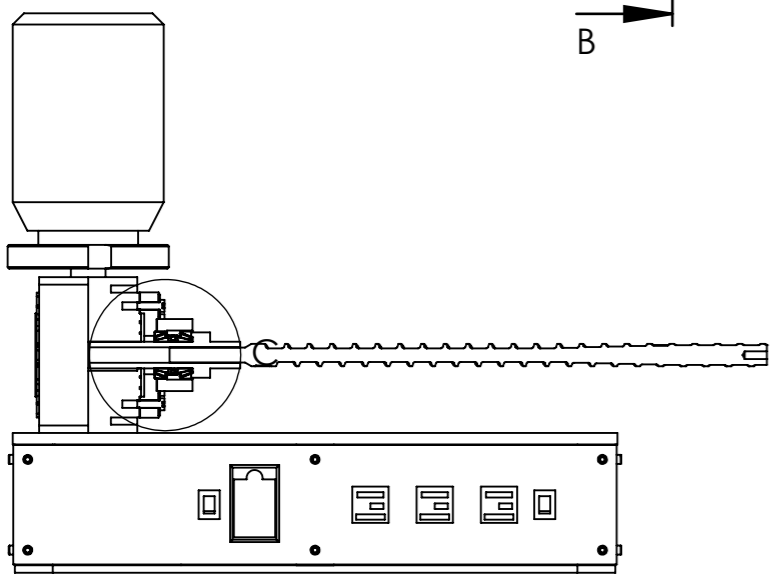


SCALE 1:1

PAGE 1 of 2

Page 2 has Bearing Block Housing

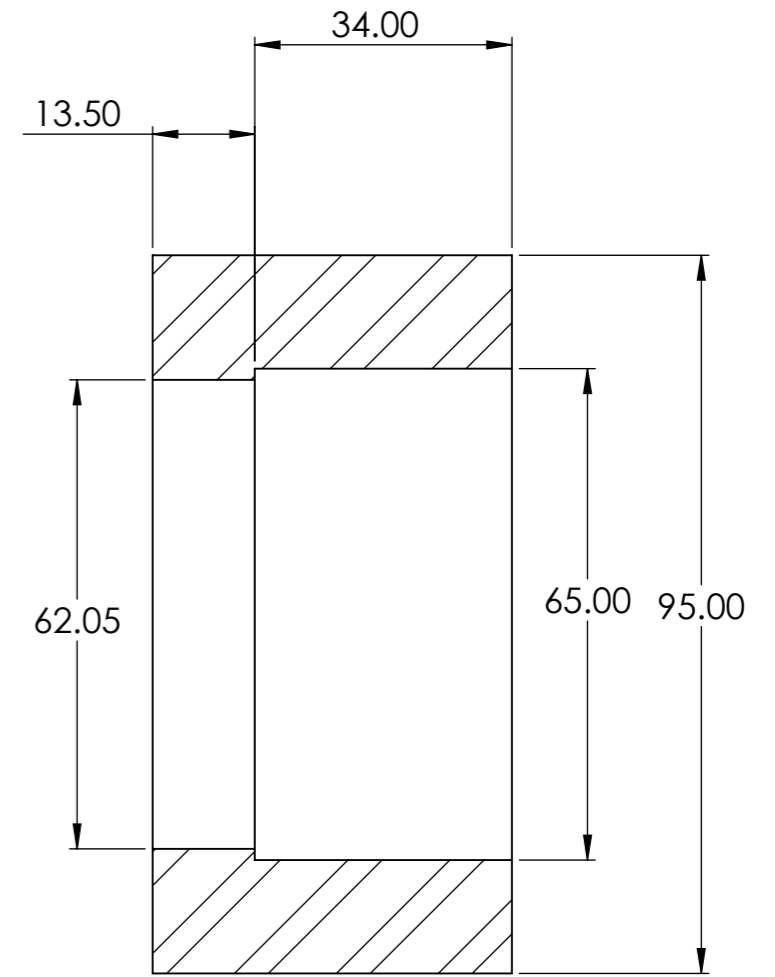
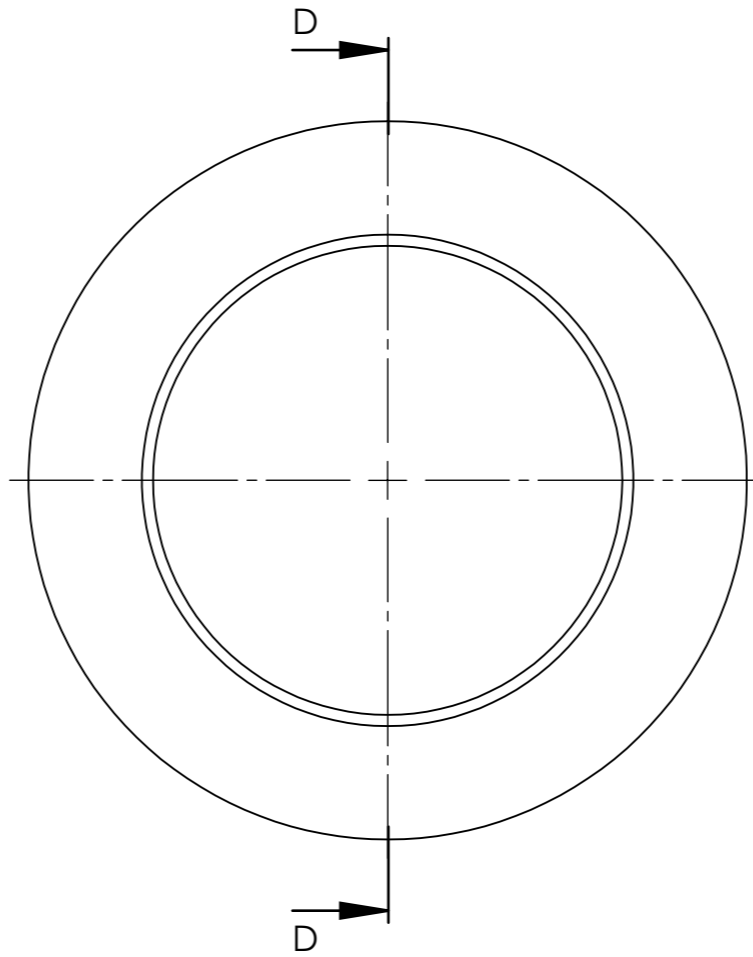
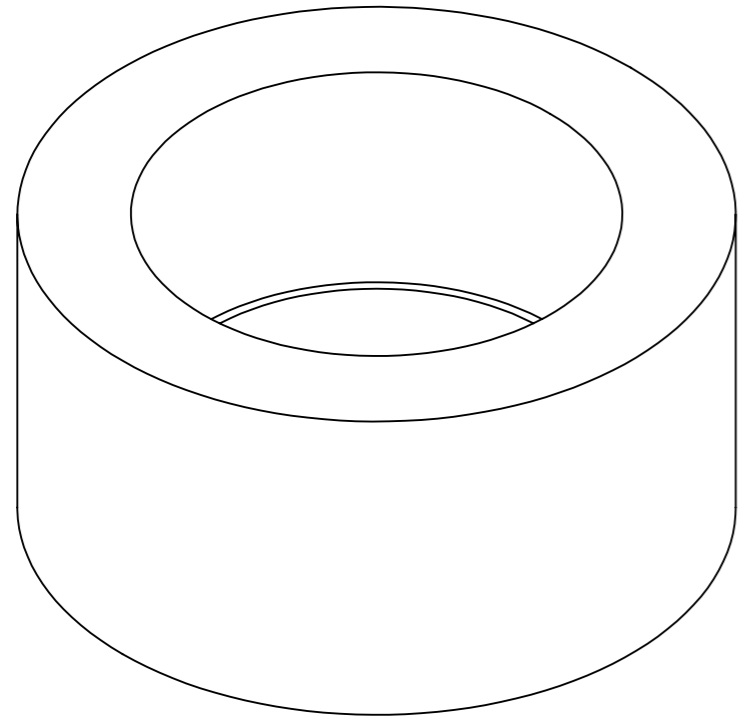
SECTION B-B



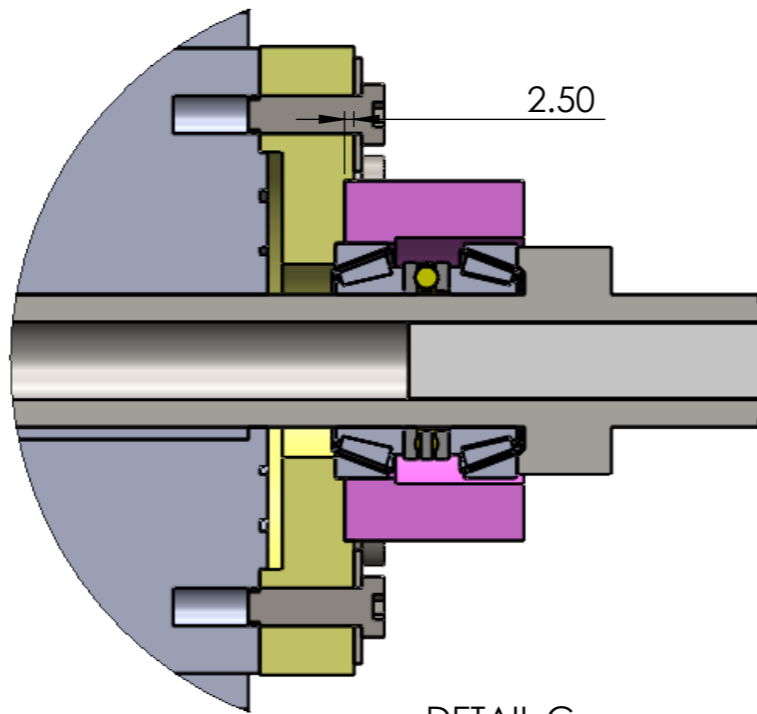
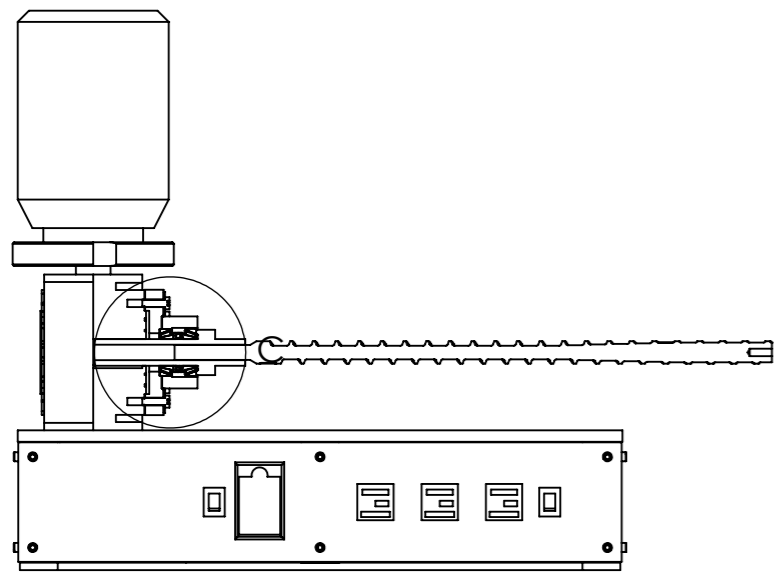
DETAIL C  
SCALE 1:2

|  |         |                                      |              |            |
|--|---------|--------------------------------------|--------------|------------|
| THIRD ANGLE PROJECTION   |         | <b>Plastic Hub Catalunya</b>         |              |            |
|  |         | Catalunya<br>Email cgoflyn@gmail.com |              |            |
| UNLESS OTHERWISE SPECIFIED DIMENSIONS ARE IN MILLIMETERS TOLERANCES ARE: |         |                                      |              |            |
| LINEAR   | ANGULAR | PART NO:                             | REV.         |            |
| $\pm$  | $\pm$   | PART NAME:                           | SIZE: A3     |            |
| APPROVALS  | DATE    | MATERIAL:                            | COLOUR:      | SCALE: 1:1 |
| DRAWN  |         | DRAWING FILE:                        | SHEET 1 OF 2 |            |
| CHECKED  |         | Lydia_V4_Bearing_housing             |              |            |

**C** COPYRIGHT: This drawing is confidential  
It must not be copied or disclosed without written consent



SECTION D-D



DETAIL C  
SCALE 1:2

|  |              |   |              |               |
|--|--------------|---|--------------|---------------|
| THIRD ANGLE PROJECTION<br>   |              | <b>Plastic Hub Catalunya</b><br>Catalunya<br>Email cgoflyn@gmail.com<br><a href="https://www.instagram.com/plastichubcat/">https://www.instagram.com/plastichubcat/</a> |              |               |
| UNLESS OTHERWISE SPECIFIED<br>DIMENSIONS ARE IN MILLIMETERS<br>TOLERANCES ARE: |              | PART NO:  | REV:         |               |
| LINEAR<br>±  | ANGULAR<br>± | PART NAME:  | SIZE:<br>A3  |               |
| APPROVALS  | DATE         | MATERIAL:   | COLOUR:      | SCALE:<br>1:1 |
| DRAWN  |              | DRAWING FILE:<br>Lydia_V4_Bearing_housing   | SHEET 2 OF 2 |               |
| CHECKED  |              |   |              |               |