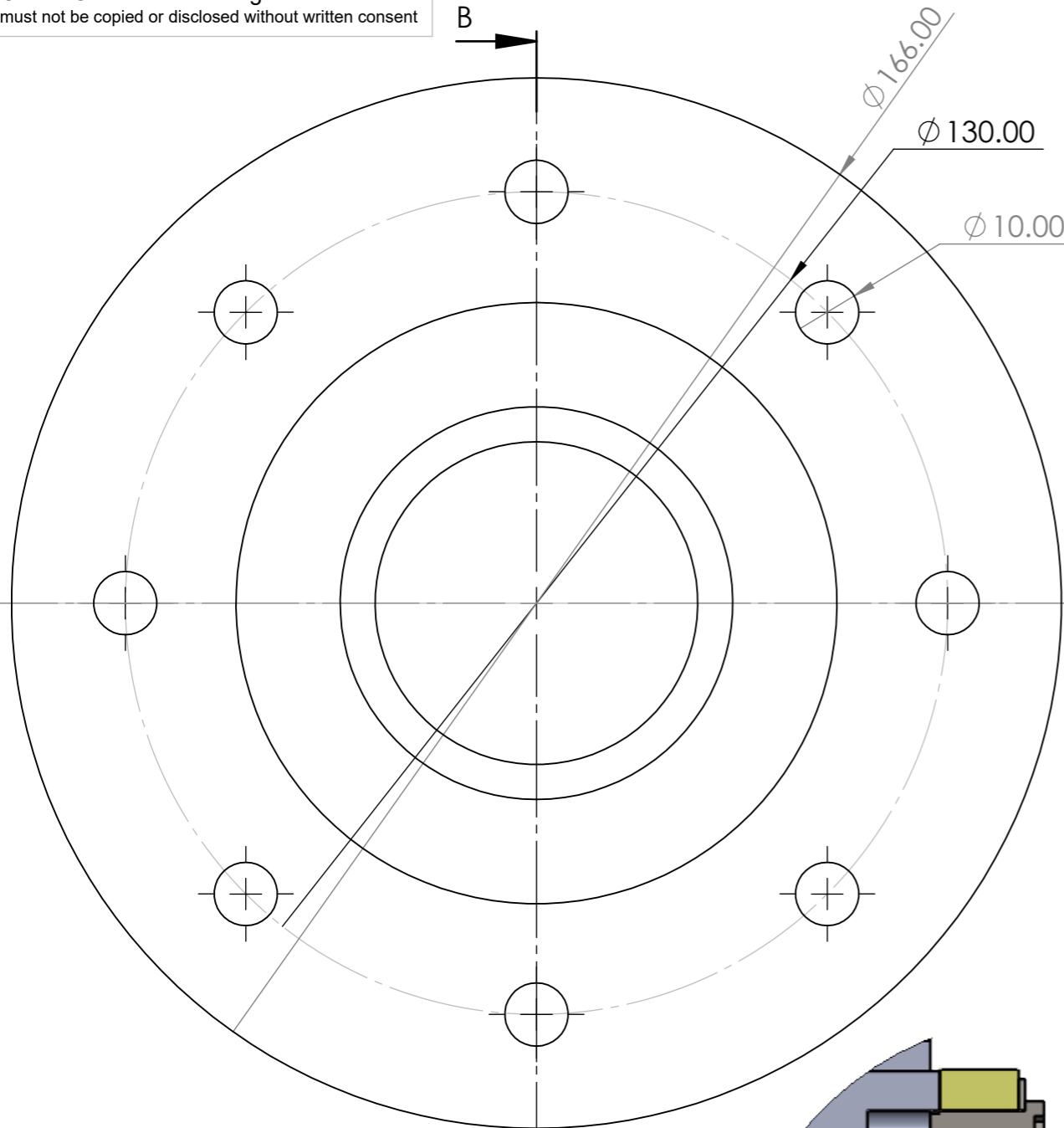


**C** COPYRIGHT: This drawing is confidential  
It must not be copied or disclosed without written consent

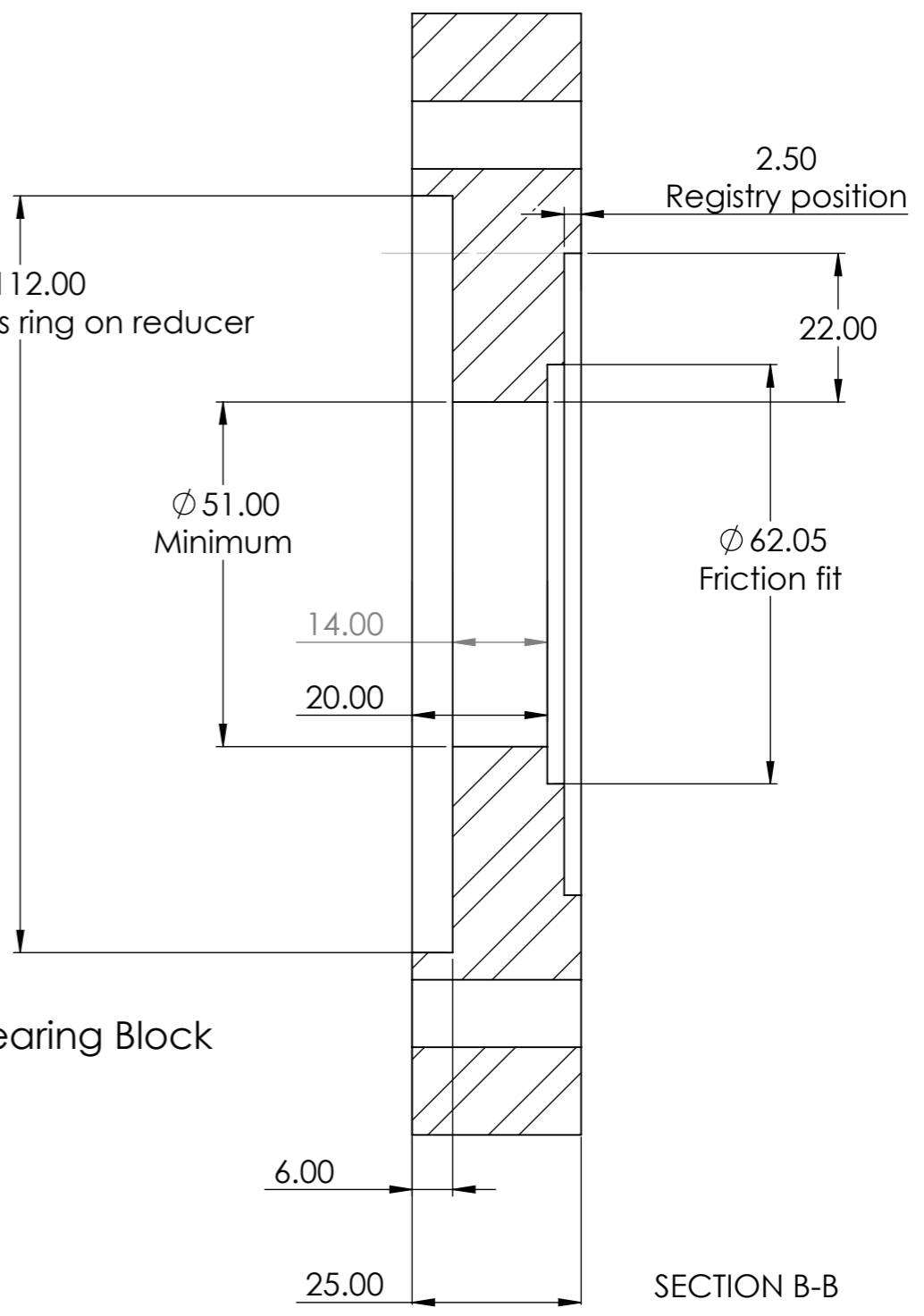


$\phi 112.00$   
Edit this so miss ring on reducer

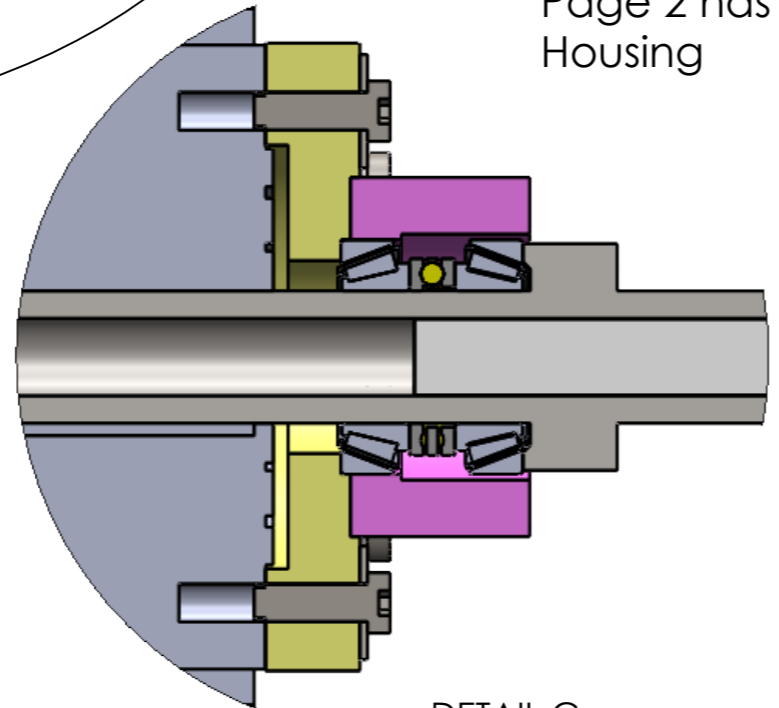
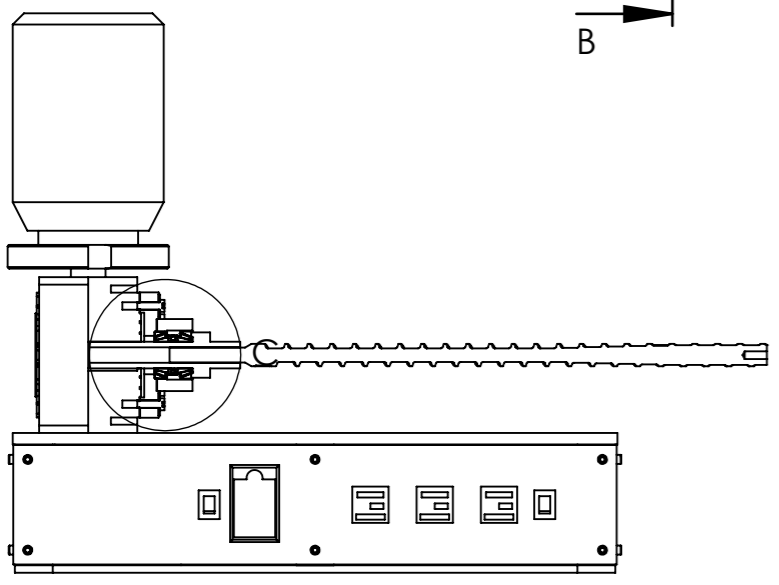
SCALE 1:1

PAGE 1 of 2

Page 2 has Bearing Block Housing



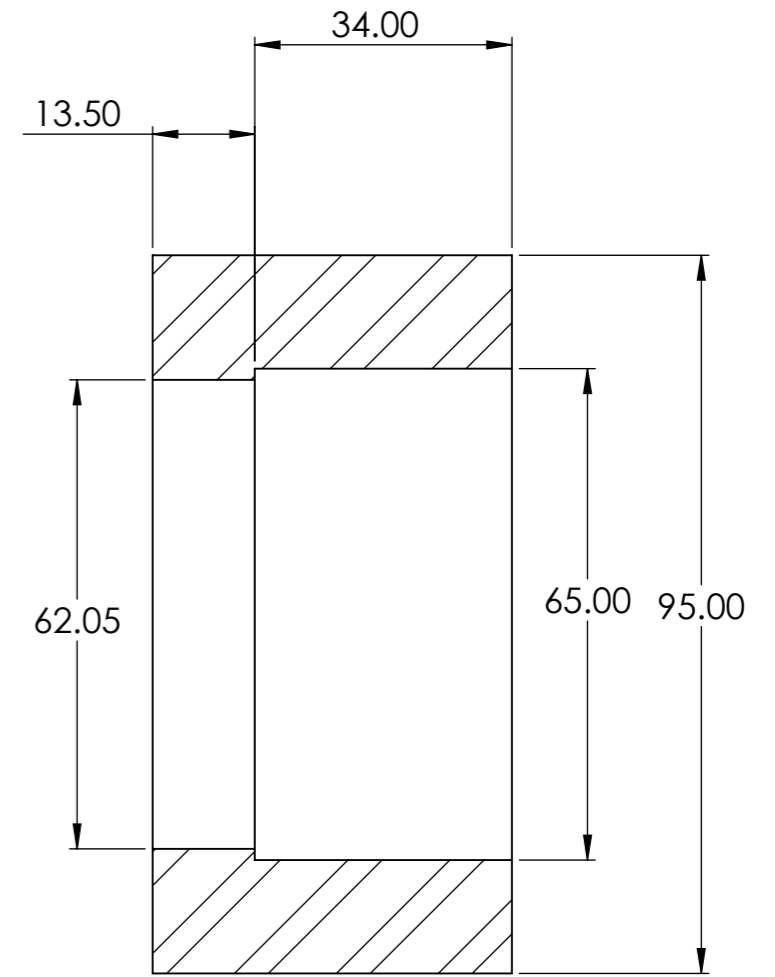
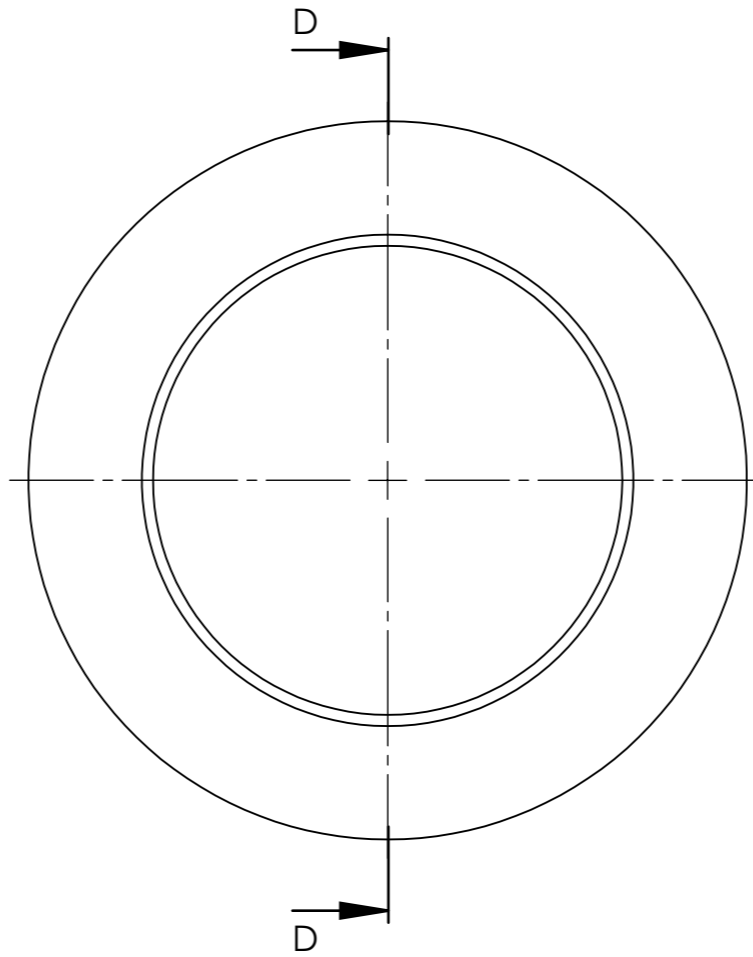
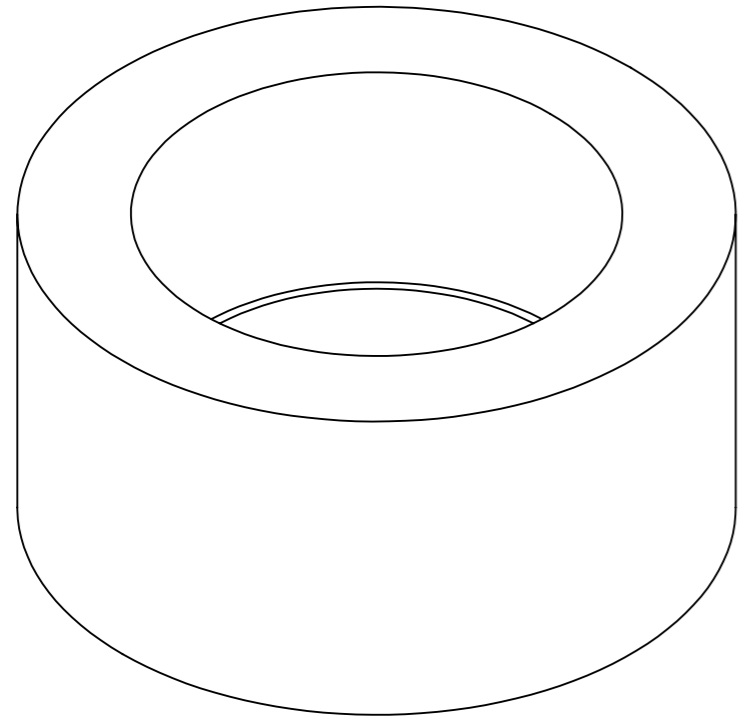
SECTION B-B



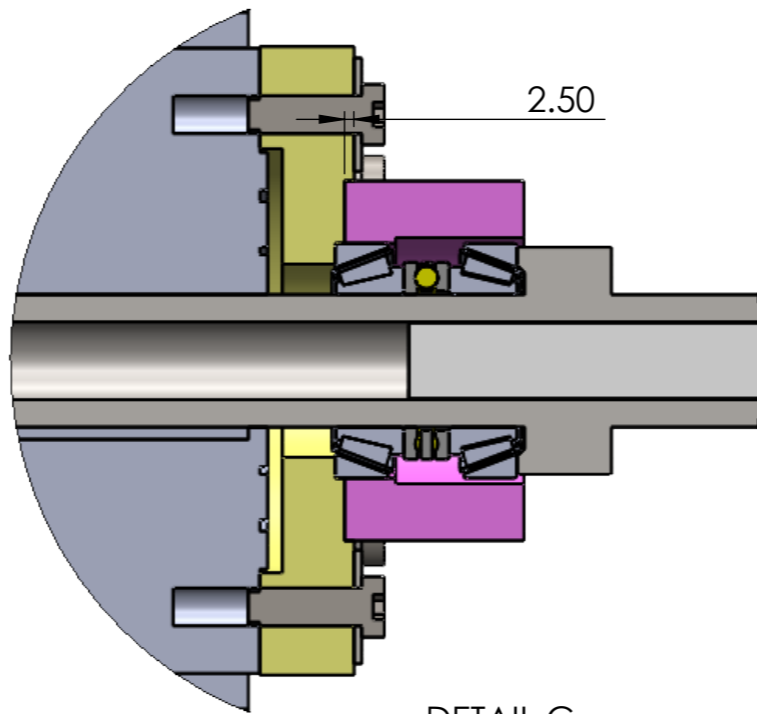
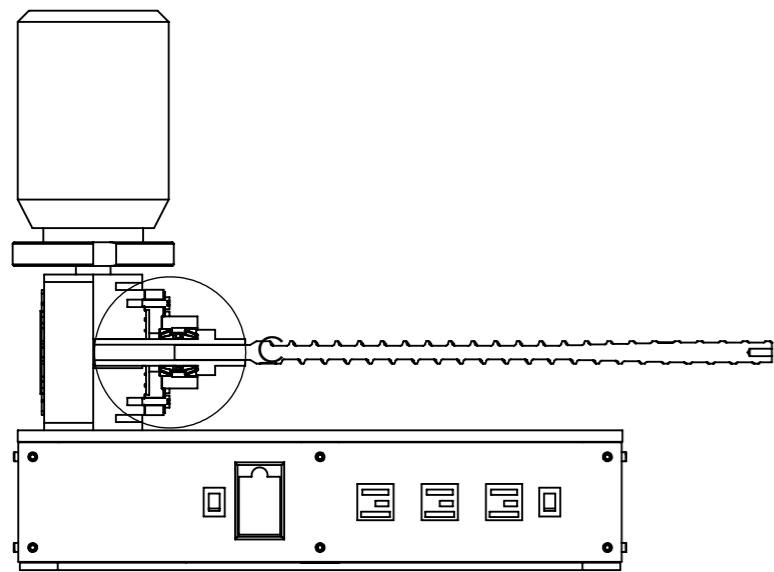
DETAIL C  
SCALE 1:2

THIRD ANGLE PROJECTION		<b>Plastic Hub Catalunya</b>		
		Catalunya Email cgoflyn@gmail.com		
UNLESS OTHERWISE SPECIFIED DIMENSIONS ARE IN MILLIMETERS TOLERANCES ARE:				
LINEAR	ANGULAR	PART NO:	REV.	
$\pm$	$\pm$	PART NAME:	SIZE: A3	
APPROVALS	DATE	MATERIAL:	COLOUR:	SCALE: 1:1
DRAWN		DRAWING FILE:	SHEET 1 OF 2	
CHECKED		Lydia_V4_Bearing_housing		

**C** COPYRIGHT: This drawing is confidential  
It must not be copied or disclosed without written consent



SECTION D-D



DETAIL C  
SCALE 1:2

THIRD ANGLE PROJECTION 		<b>Plastic Hub Catalunya</b> Catalunya Email cgoflyn@gmail.com <a href="https://www.instagram.com/plastichubcat/">https://www.instagram.com/plastichubcat/</a>		
UNLESS OTHERWISE SPECIFIED DIMENSIONS ARE IN MILLIMETERS TOLERANCES ARE:		PART NO:	REV:	
LINEAR ±	ANGULAR ±	PART NAME:	SIZE: A3	
APPROVALS	DATE	MATERIAL:	COLOUR:	SCALE: 1:1
DRAWN		DRAWING FILE: Lydia_V4_Bearing_housing	SHEET 2 OF 2	
CHECKED				